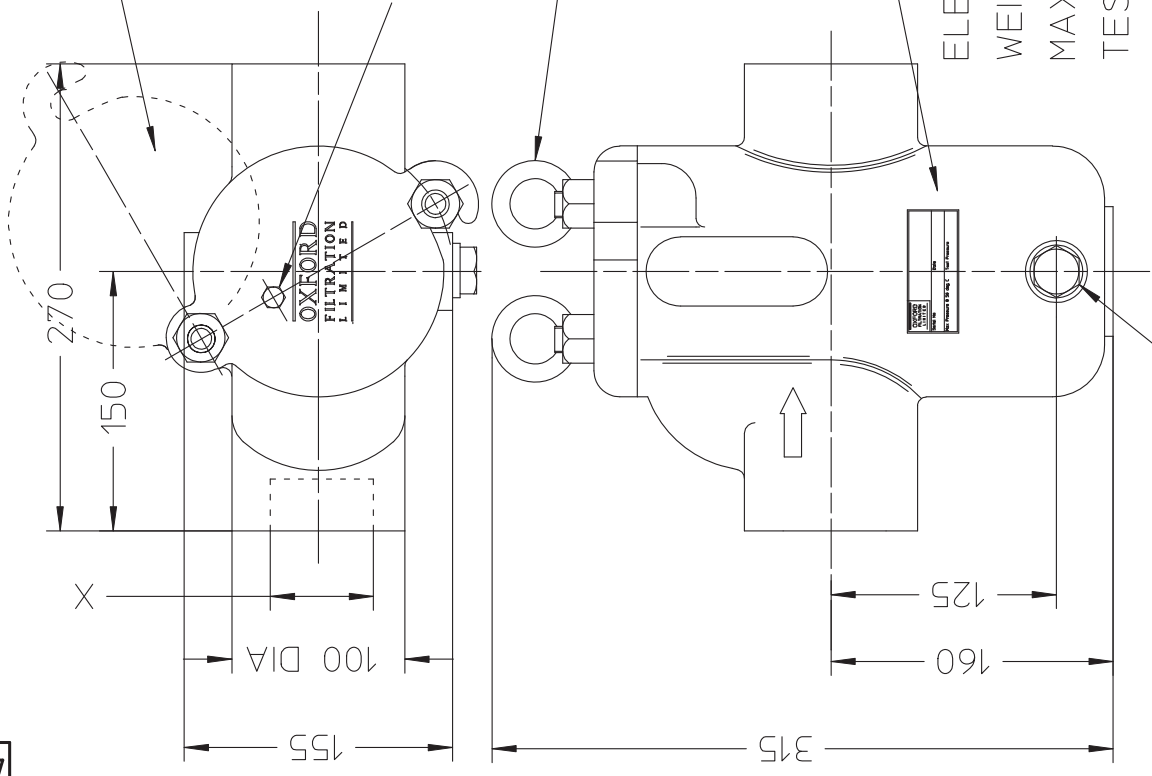


COVER MAY SWING TO REMOVE ELEMENT

BLEED SCREW

EYE NUTS FITTED AS STANDARD
HEX NUTS OR HAND-NUTS OPTIONAL

SPACE TO REMOVE ELEMENT



1/2" DRAIN MAY BE ON OTHER SIDE

PRESSURE TEST INFORMATION LABEL

- ELEMENT AREA - 514cm²
- WEIGHT OF FILTER - 20 kg
- MAX WORKING PRESSURE - 16 bar
- TEST PRESSURE - 32 bar



www.monarchindustrial.com.au

UNLESS SPECIFIED GENERAL TOLERANCE 0 DEC PLACE +/- 1 1 DEC PLACE +/- 0.4 2 DEC PLACE +/- 1.0 ANGULAR +/- 2 Deg	APPROVED	MATERIAL	DESCRIPTION
	DRAWN A.S.N.	OXFORD FILTRATION LIMITED	GENERAL ARRANGEMENT DN50 Threaded Single Filter
MODIFICATION DRAIN WAS UNDER INLET	DATE 26/6/13		DRG NO. 12035
			ISS 4

ALL DIMENSIONS NOMINAL