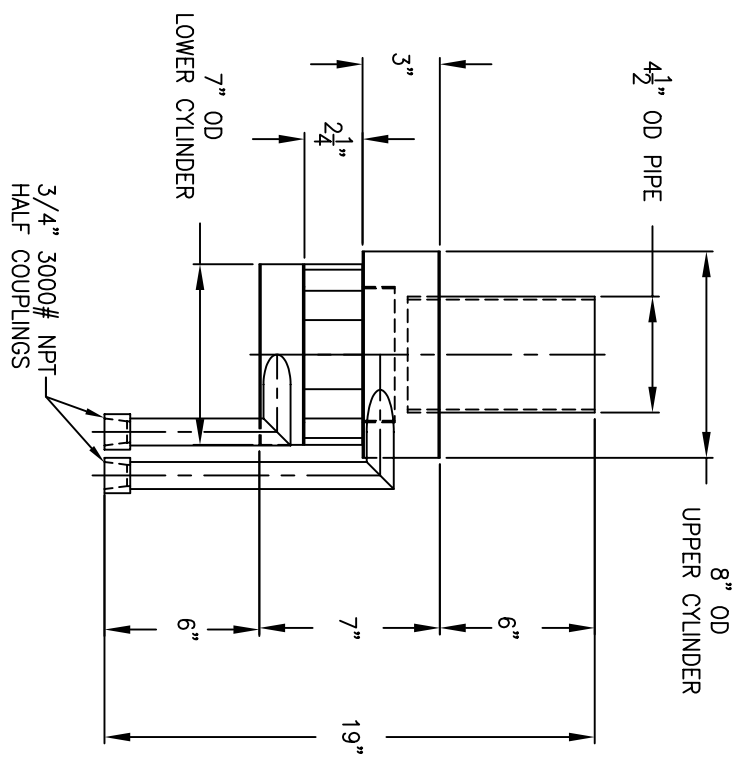


12" ID IS THE MINIMUM SHELL ID FOR THIS ELEMENT



REV	DATE	CHANGE	ECR	BY	APP
A	10/8/02	NEW ISSUE	A870	FJM	VA
B	11/1/05	REVISED TITLE BLOCK	D507	FM	LH



NOTES:

1. ALL DIMENSIONS ARE IN INCHES .
2. ALL BOLT HOLES ARE TO STRADDLE NATURAL CENTERLINES.
3. SHIPPING WEIGHT: 18 POUNDS
4. DESIGN DATA:
 DESIGN PRESSURE- ATMOSPHERIC
 DESIGN TEMPERATURE- AMBIENT
 CORROSION ALLOWANCE- 0 INCHES
5. MATERIAL: STAINLESS STEEL (304/304L)

CUSTOMER:
 REG. NO.:
 P.O. NO.:
 TAG NO.:
 PART NO.: E3400

ELECTRONIC FILE NAME:
 SD460IS.DWG
 TOLERANCES UNLESS OTHERWISE SPECIFIED
 PER ENGINEERING STANDARD ES- --

UNAUTHORIZED USE, MANUFACTURE OR
 REPRODUCTION IN WHOLE OR IN PART IS
 PROHIBITED. DRAWING, DESIGN AND
 OTHER DISCLOSURES PROPERTY OF
 EATON FILTRATION, LLC

								
		NAME 4" TYPE "60-1" ELEMENT UPFLOW STYLE (304/304L SSTL)						
DRAWN	FJM	DATE	10/8/02	CHECKED	LH	DATE	10/8/02	
APP	VA	DATE	10/8/02	SCALE	1:8	ECR	A870	
SIZE	DWG	NO		SD460IS				REV
A								B